

REX

LIGHT GROOVE 150DX

ROLL GROOVING MACHINE

RG-150A

Automatic self-centering head dramatically reduces pipe flaring.
Exclusive new REX design.

Adjusts to an amazing 8°

No more worries about obtaining the perfect groove!

- ★ Lamp signals completion of grooving operation, ensuring a smooth finish every time.
- ★ Custom designed automatic-pump allows for easy operation.
- ★ Custom designed pipe stand (optional).



REX

For High Quality Grooving

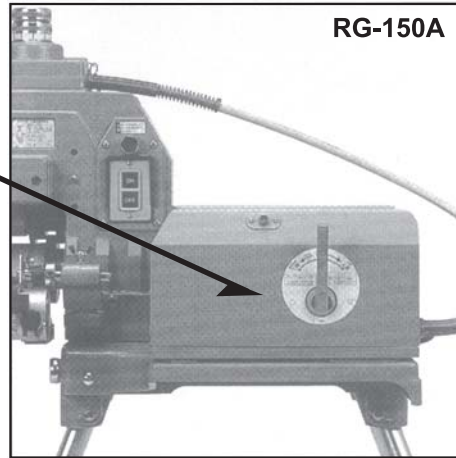
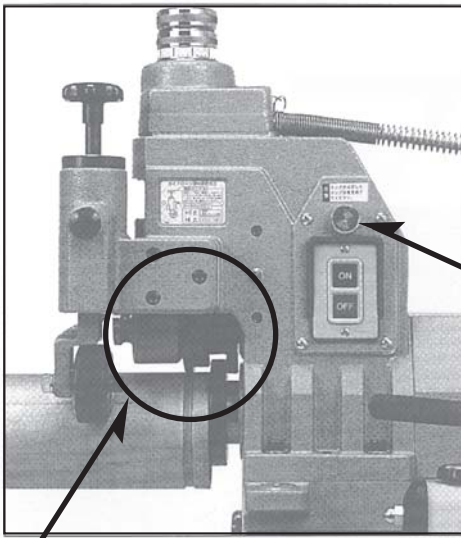
RG-150 / RG-150A

For on-site and workshop grooving of 1" - 16" Schedule 10 and, 1" - 12" Schedule 40 steel pipe.

- Utilises REX's latest technology to minimise cost and improve efficiency.
- Designed for maximum productivity and lowest cost per groove.

Automatic Pump

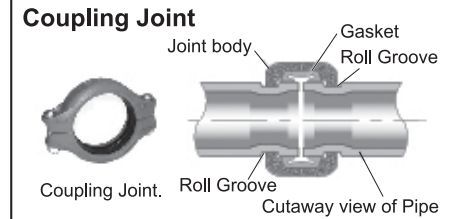
The electric powered pump was developed specifically for this machine to make accurate grooving easier.



Indicator Lamp

The indicator lamp automatically lights up when grooving is complete so that even a beginner can be sure of achieving the correct groove depth.

Exclusive REX design !



Self-centring Head

The head adjusts up to an amazing 8° to ensure a perfectly centred groove every time. The carrying handles also serve as guides to make setting pipes easier.



Exclusive REX design !

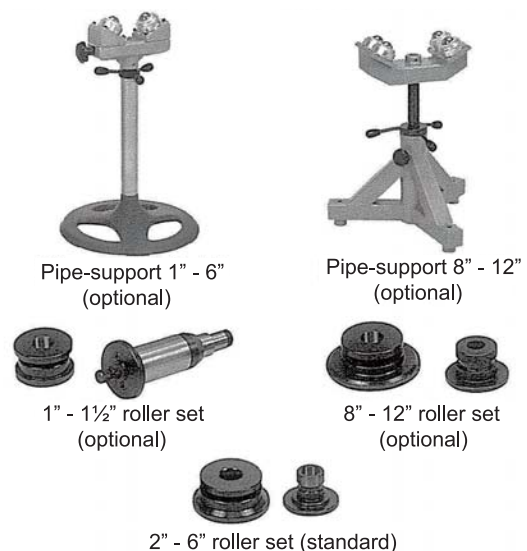
Roller

Roll grooving is different from cut grooving. Roll grooving is a process by which the pipe is deformed under pressure, which maintains its strength. Numerous reports indicate that roll grooving prevented damage to pipelines during the 1995 Kobe Earthquake, Japan.

Code No.	341080	341071, 341074 (CE)
Model	RG-150 (Hand Pump)	RG-150A (Auto Pump)
Pipe Capacity (in.)	1 - 16 Sch. 10 steel pipe 1 - 12 Sch. 40 steel pipe (Standard Model: 2 - 6 roller Sch. 10 - 40 : 341133)	
Motor	700 W Series motor	
Voltage (V)	100-110 V 50/60Hz 210-230 V 50/60Hz	100-110 V 50Hz 220-230 V 50Hz
Rotation Speed (rpm)	49 (Unloaded)	
Dimensions (mm)	D685 × W490 × H625	
Weight (kg)	75	85

Standard Accessories	Tool box, Spirit level, Spanner, T-wrench, Grease 341133: Roller Set 2" - 6" (Sch. 10 - 40), 341125 Spacer 1" - 6"
Optional Accessories	341112: Main Shaft For Roller 1" - 1½" (150DX) 341113: Roller Set 1" - 1½" (Sch. 10 - 40) 341111: Roller Set 8" - 12" (8": Sch. 10 - 40, 10" - 12": Sch. 10) 341137: Roller Set 10" - 12" (Sch. 40) 341136: Roller Set 14" - 16" (Sch. 10) For Thin-wall Stainless Steel Pipe (Schedule 5S - 10S) 341112: Main Shaft For Roller 1" - 1½" 341118: Roller Set SUS 30-50Su (1" - 1½": Sch. 5S-10S) 341119: Roller Set SUS 60-80Su (2" - 3": Sch. 5S-10S) 341120: Roller Set SUS 100-150Su (4" - 6": Sch. 5S-10S)

Accessories



REX INDUSTRIES CO.,LTD.

Overseas Sales Dept. & Factory :

1-9-3, Hishiya-Higashi, Higashi-Osaka 578-0948, Japan
Tel.: +81-(0)72-961-9820 Fax.: +81-(0)72-961-9878

ISO9001 ; 2000 : JQA-2387 / ISO14001 : JQA-EM2926

- Be sure to read the Operation Manual before use.
- Changes in specifications, colour, etc. may be made without prior notification.

1711R-E2